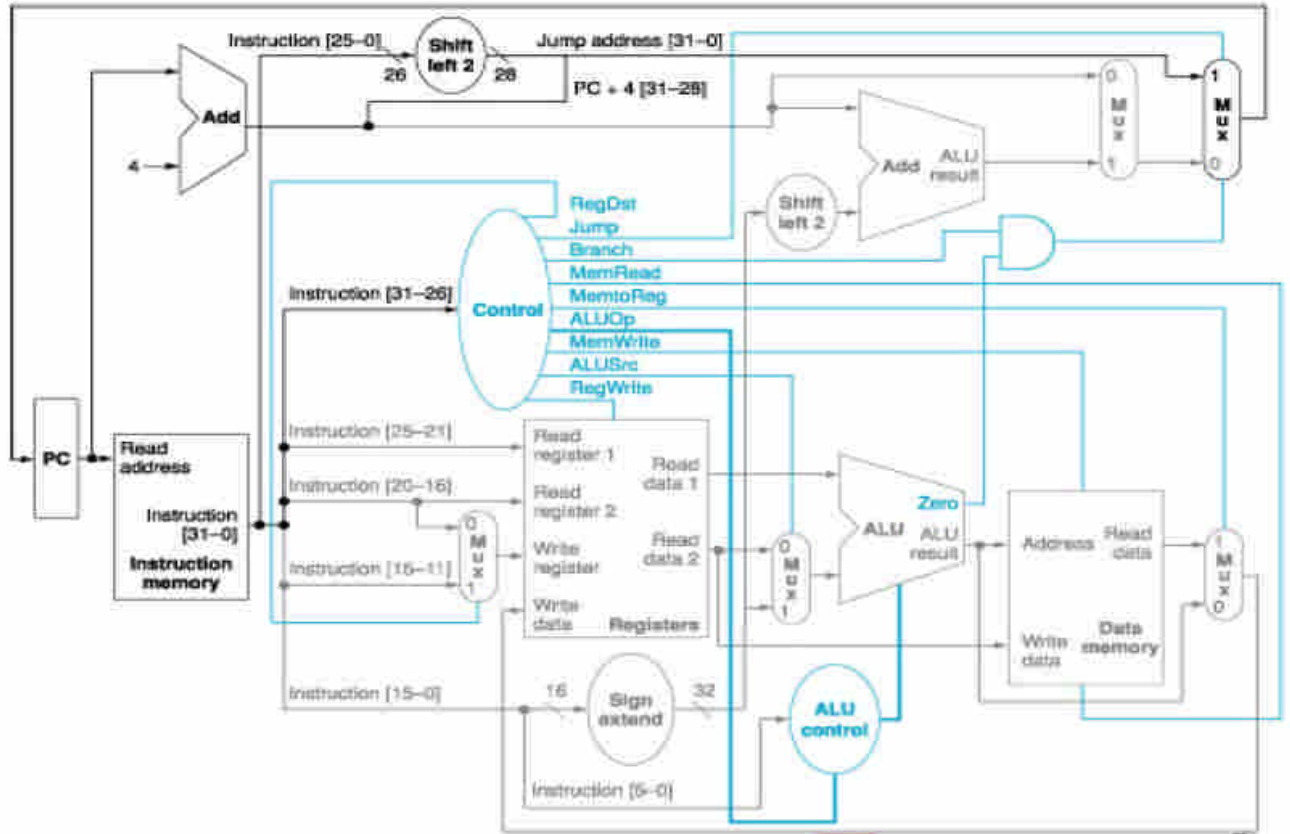


計算機組織小考考卷

學號：

姓名：

1. Please complete the contents of the following table.



R-type	31	26	21	16	11	6	0	
	op	rs	rt	rd	shamt	funct		add, sub
I-type	31	26	21	16	11	6	0	
	op	rs	rt	immediate				ori, lw, sw, beq
J-type	31	26	21	16	11	6	0	
	op	target address						jump

Instruction	<u>add</u>	<u>lw</u>	<u>ori</u>	<u>sw</u>	<u>beq</u>	<u>jump</u>
RegDst	1	0	0	X	X	X
ALUSrc	0	1	1	1	0	X
MemToReg	0	1	0	X	X	X
RegWrite	0	1	1	0	0	0
MemWrite	1	0	0	0	0	0
Branch	0	0	0	0	1	0
Jump	0	0	0	0	0	1
ALUctl	add	add	or	add	subtract	xxx